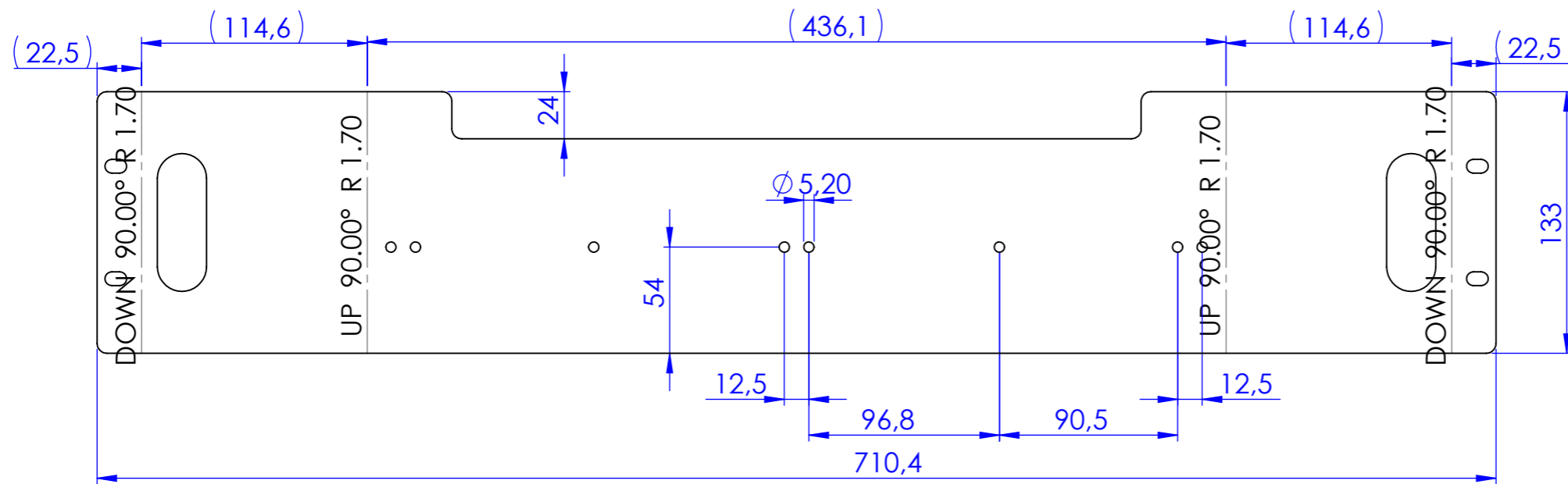
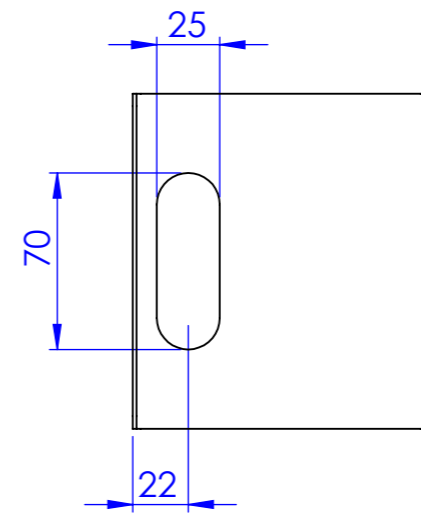
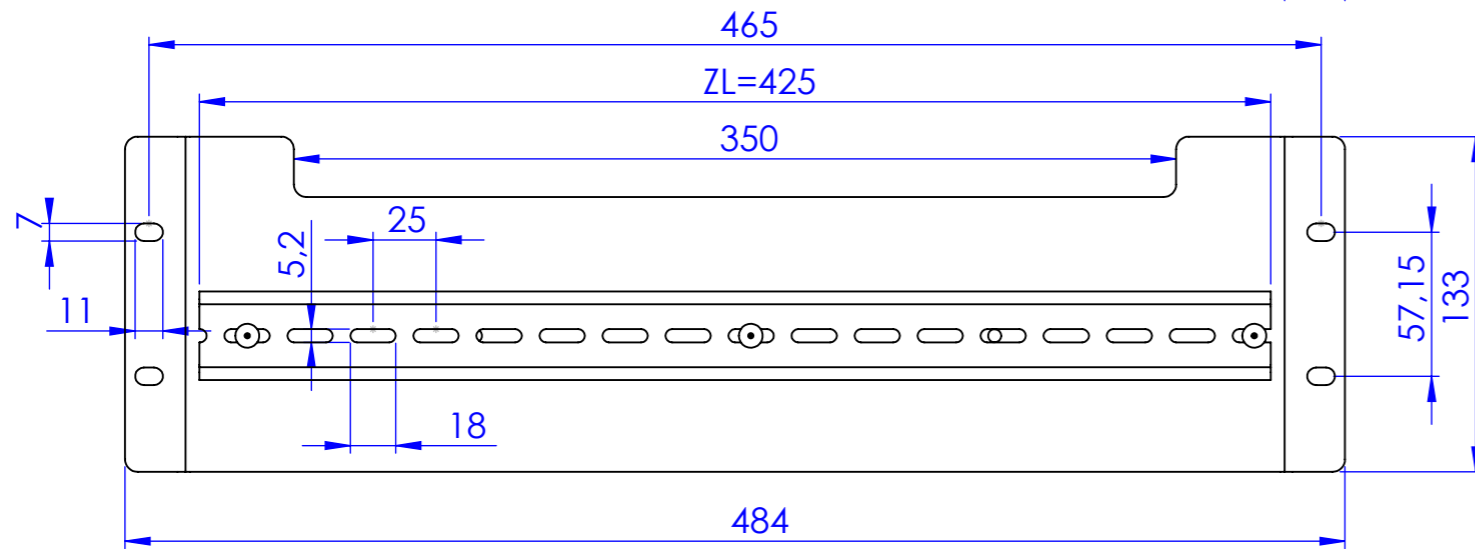
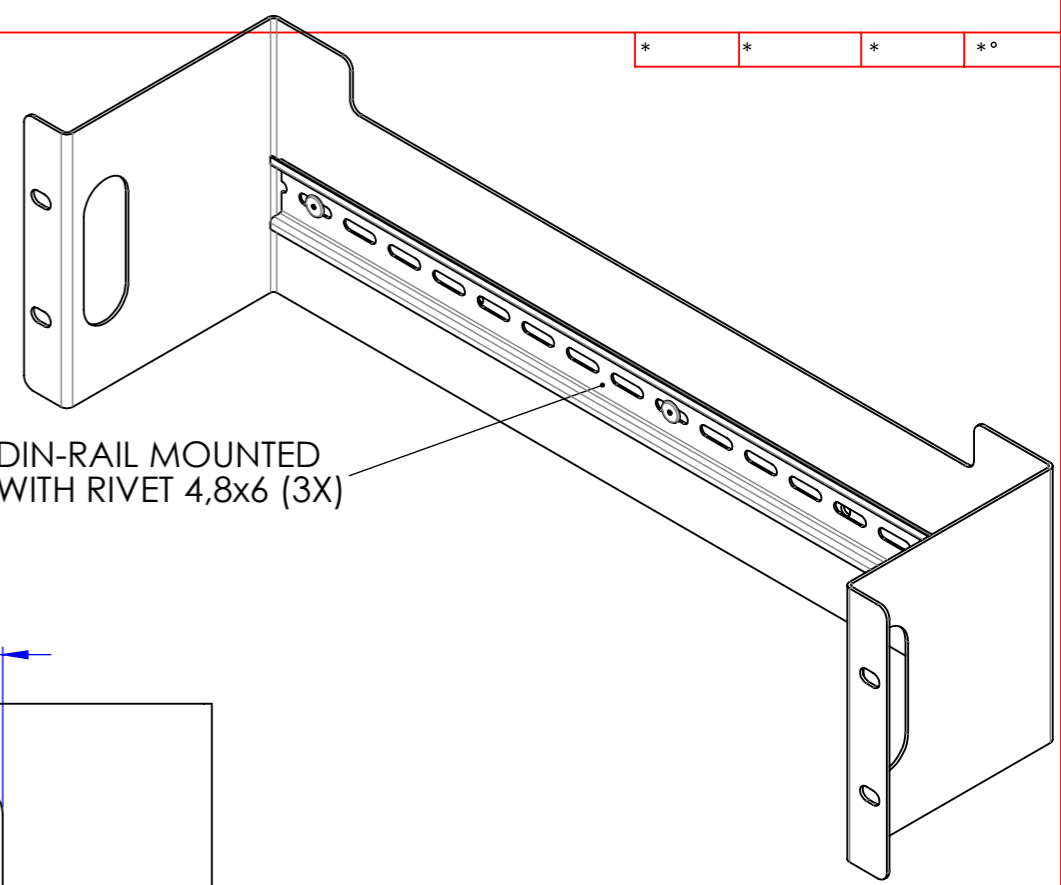


DIN-RAIL MOUNTED WITH RIVET 4,8x6 (3X)



CHECK PRODUCT SQUARENESS  
REM OVE SHARP EDGES

This drawing is our property and will not be copied for others without our permission.

Code	Modification	Date	Name	Algemene tolerantie tenzij anders aangegeven		
*	*	*	*	Measure	tolerance	*
				From	Till	±
*	*	*	*	0,5	3	0,1
*	*	*	*	3	6	0,1
*	*	*	*	6	30	0,2
*	*	*	*	30	120	0,3
*	*	*	*	120	400	0,5
*	*	*	*	400	*	0,8
*	*	*	*	Projection	Holes ±0.2	
*	*	*	*		Angles ±1°	

bracket for 19" cabinet

\*

KISS-BOX  
WESTERDOKDIJK 679  
1013BX AMSTERDAM  
THE NETHERLANDS



Name	TK	Drawing nr. cust.	*
Controle	*	Customer nr	*
Date	02-07-2012	Treatment	EPOXEREN
Scale	1:3	Code	RAL: 9011
Shared	*	Material	S235
File nummer	TSK001		A3