



DO8SK Card

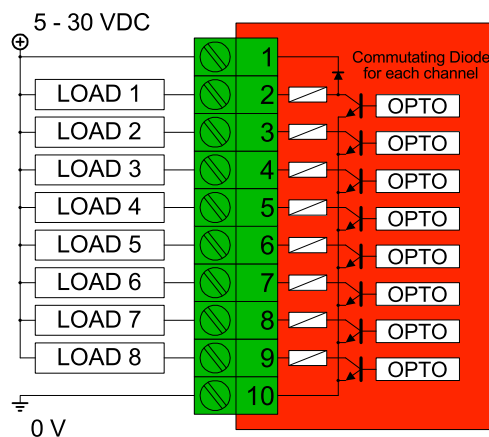
The “Digital Output **8** channels **SinK**” card provides connections for 8 outputs

Main applications: Low Power Solenoid, LED, Lamps, Relays, High speed and repetitive alternations

- Common ground (Sink)
- Voltage range: 5 to 30 VDC
- Voltage rating: 50VDC
- Maximum current driver: 0,3A /30 VDC (resistive load)
- Protected by resettable Fuses
- 4 KV Transient isolation with backplane



To rearm the resettable fuse, turn off the power to the box (PoE) for a few seconds



Kiss-Box Europe (Main Office)

Westerdoksdiijk 679 1013 BX Amsterdam The Netherlands-EEC

+31 20 6206212 +31 84 8339330 www.kiss-box.com